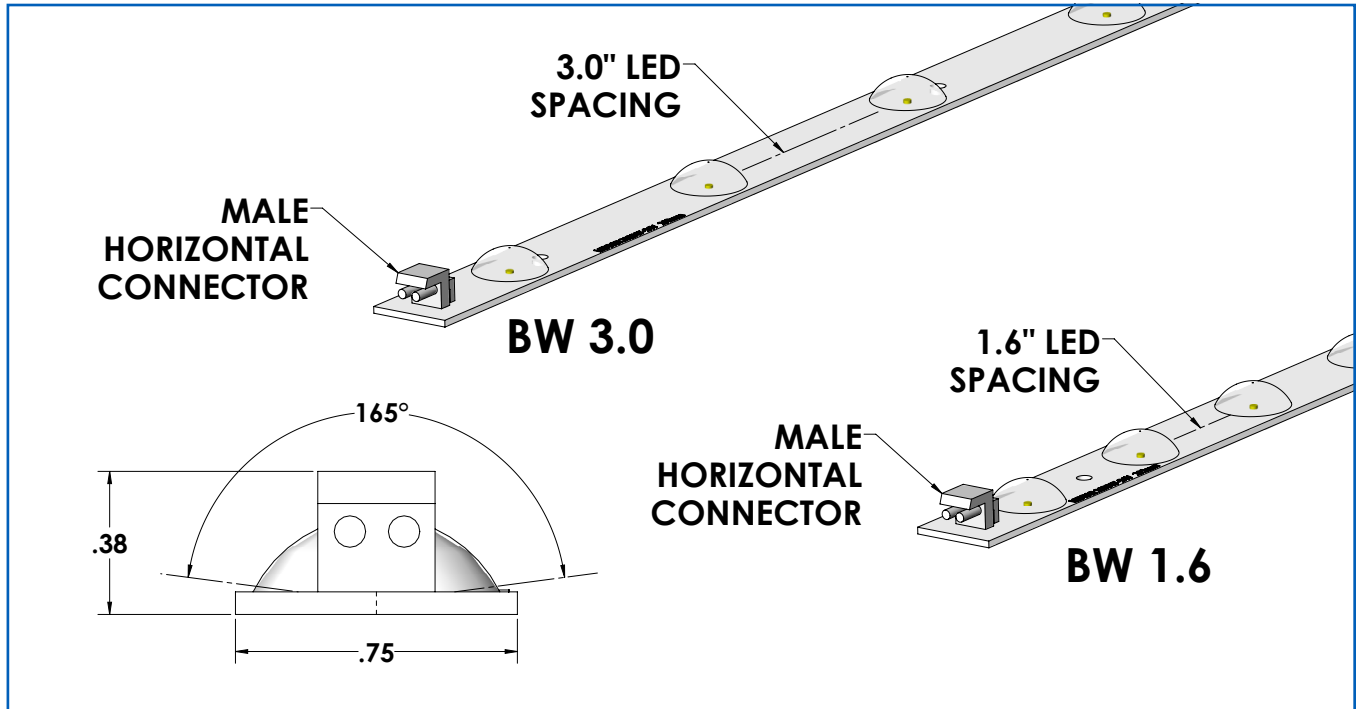


DRAWINGS



FEATURES

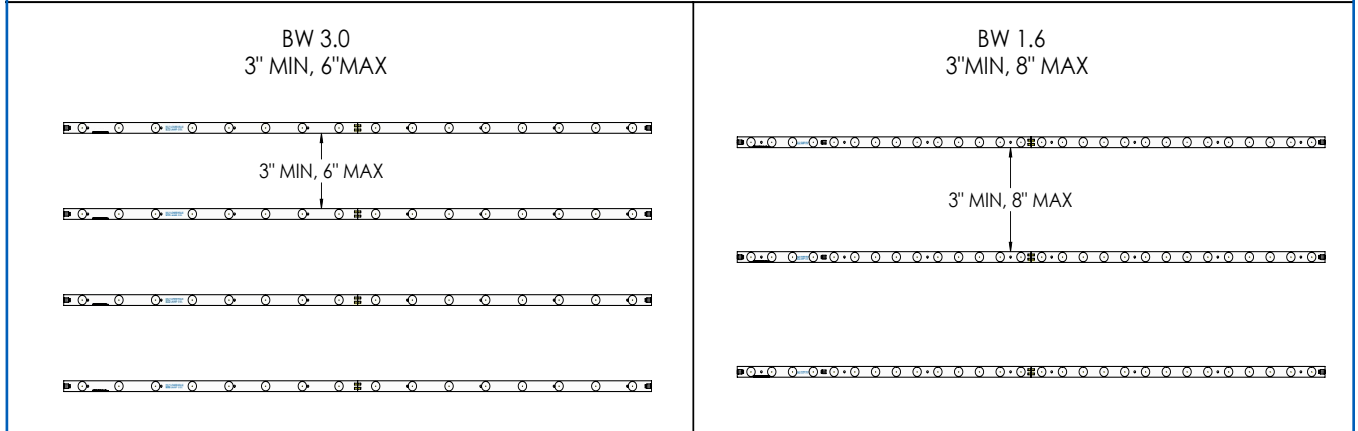
- Excellent lighting option for large-scale backlighting requiring bright, even light distribution
- Extra wide beam angle provides generous light spread for challenging lighting applications
- Modular connecting design allows for easy installation and servicing
- Robust and durable construction design capable of with standing tough retail display environments
- Available in 12", 23", and 46" nominal lengths

SPECIFICATIONS

BW Type	BW 1.6			BW 3.0		
	12"	23"	46"	12"	23"	46"
Nominal Length	12"	23"	46"	12"	23"	46"
Actual Length	11.5"	22.99"	45.98"	11.5"	22.99"	45.98"
LEDs/Module	7	14	28	4	8	16
Lumens/Module	486	1107	2126	216	511	1092
Wattage/Module	6.00	12.00	23.00	4.00	7.50	14.40
Amperage/Module	.25	.50	.96	.17	.31	.60
Max # Units Daisy Chained	16	8	4	32	16	8
Voltage	24 VDC					
Beam Angle	165°					
Dims	.75w x .38h					
Connector	JST					
Certifications	UL					
Warranty	3 yrs					
Environment	Dry, Indoor					

SAMPLE APPLICATION LAYOUTS

LAYOUT SPACING RECOMMENDATION



ORDERING INFORMATION

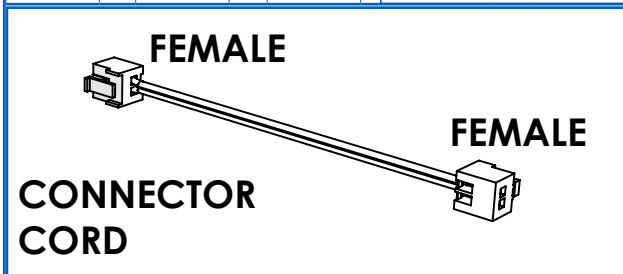
BW	1.6	-	12	-	05	-	000		
Model	LED Spacing		Overall Length (Inches)		Color		Variations		
BW = Batwing	1.6 = 1.6" 3.0 = 3.0"		12 = 11.5" 23 = 22.99" 46 = 45.98"		02 = 3500K 05 = 5600K		None		
								Example: BW1.6-12-05-J000	

POWER SUPPLY

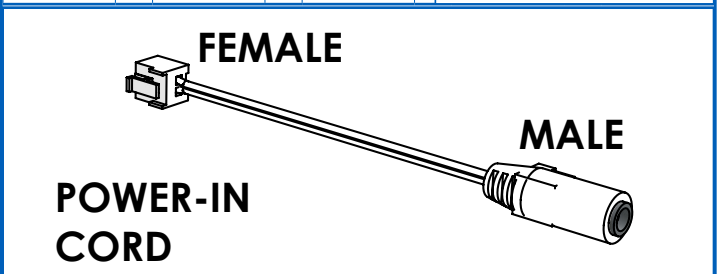
PSL24	-	0100	-	M	072	-	F	072	-	000
Model		Amps		Power-IN Connector	Cord Length		Power-OUT Connector	Cord Length		Variations
PSL24 = Power Supply, 24v		0100 = 1.0 Amps 0200 = 2.0 Amps 0500 = 5.0 Amps		M = Male F = Female	072 = 72"		M = Male F = Female	072 = 72"		000 = Std Female 2.1mm Connector SW6 = Inline Switch 6" from End Consult factory for additional options
Example: PSL24-0100-M072-F072-000										

RELATED CONNECTOR CORDS

BW	-	CC	-	006	-	W	-	FF
Model		Cord		Length		Color		Connector
BW = Batwing		CC = Connector Cord		002 = 2" 006 = 6" 012 = 12"		W = White		F = Female M = Male
Example: BW-CC-006-W-FF								



BW	-	PC	-	012	-	W	-	FM
Model		Cord		Length		Color		Connector
BW = Batwing		PC = Power Cord		012 = 12" 048 = 48"		W = White		F = Female M = Male
Example: BW-PC-012-W-FM								



BW Optics LED Module

