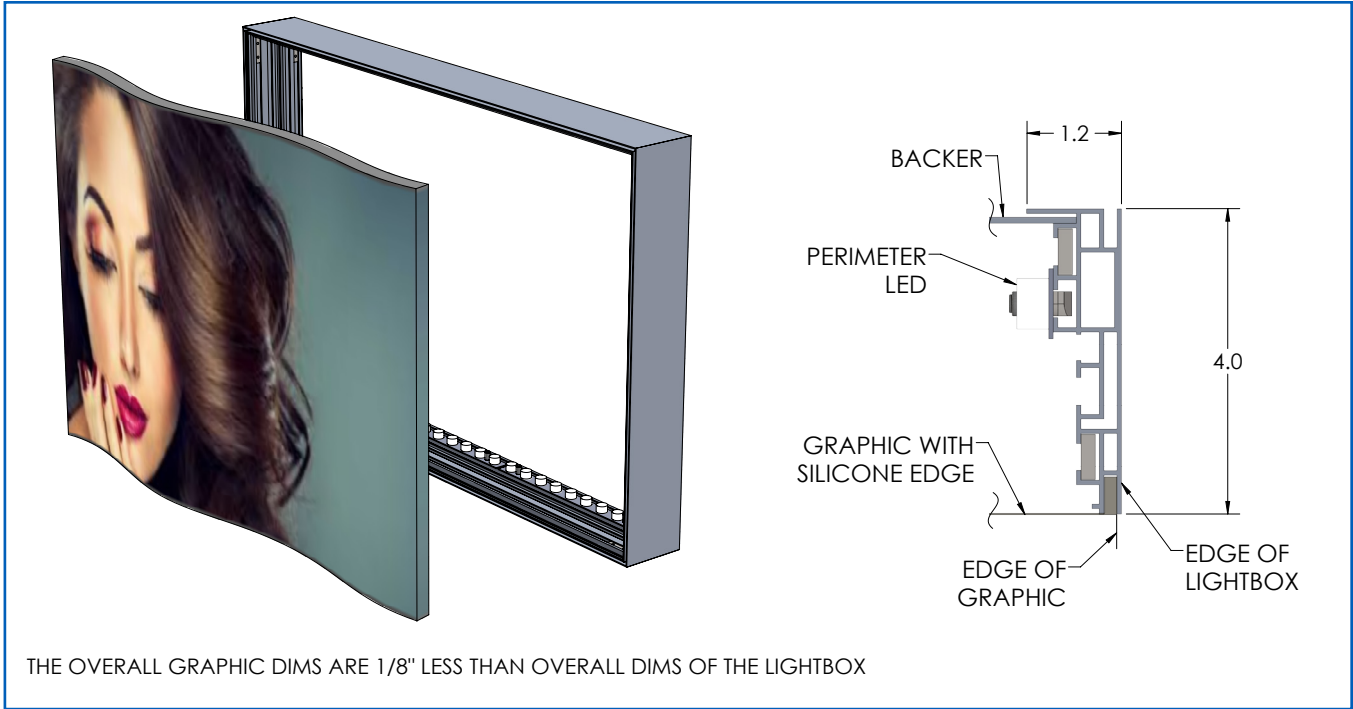


# SEG FABRIC LED LIGHTBOX: STANDARD, SINGLE SIDED



## DRAWINGS



THE OVERALL GRAPHIC DIMS ARE 1/8" LESS THAN OVERALL DIMS OF THE LIGHTBOX

## FEATURES

- Large-scale, high-impact graphics
- Custom sizes and colors available
- Easy to install & maintain
- Up to 60,000 hrs useable life
- Easy to replace graphics
- Lightweight Aluminum frame
- Wall mounted, suspended or free standing
- Available in 3500K, 4100K, & 6000K
- LED lighting applications
- UL approved

## LED LIGHTING OPTIONS

<p><b>BW OPTICS</b> (NOT AVAILABLE FOR LOW PROFILE)</p> <p>(24 VOLT)</p> <p>BW 3.0</p> <p>BW 1.6</p>	<p><b>PERIMETER LED</b> (NOT AVAILABLE FOR LOW PROFILE)</p> <p>(24 VOLT)</p> <p>2 SIDES OR 4 SIDES</p>	<p><b>LED PANEL</b></p> <p>(12 VOLT)</p> <p>2 SIDES OR 4 SIDES</p>
--	--	--

# SEG FABRIC LED LIGHTBOX: STANDARD, SINGLE SIDED



## SPECIFICATIONS

LED Type	Batwing (24v)		Perimeter (24v)	LED Panel (12v)	
	BW 1.6	BW 3.0			
LED Chip Size	3030	2835	3030	3020	
LEDs / ft	7/ft	4/ft	6/ft	42/ft	54/ft
LED Wattage/ft	6wt/ft	3.6 - 4wt/ft	7.2wt/ft	6.7wt/ft	8.6wt/ft
Lux Range	2500 to 6000 Lux				
LED Operating Temp	-30°C to 85°C				
LED PCB & Circuit	FR4, Copper Circuit				
LED Color Temp	3500K, 4100K, & 6000K				
Lamp Life (L70@45°C)	60,000 hrs				
Wiring Specs	22ga (AWM 2468x2C, AWM 2464x2C)				
Connector Specs	2.1mm DC Barrels, Molex, Flat Pin, Pigtail				
Environment	Indoor				
Graphics	Customer Supplied				
Certifications	UL				
Warranty	3 Year				

## ORDERING INFORMATION

SEG3	-	4800	-	3000	-	1	1	W	5	S	A	-	0
Frame Style		Long Side (Inches)		Short Side (Inches)		Lighting Type	LED's/ft	LED Color	K-Value	Frame Color	Variations (Perimeter/Panels)		Deciations
SEG3 = 4" Single Side		4800 = 48.00"		3000 = 30.00"		1 = Perimeter 2 = Batwing 3 = LED Panel N = Non-lit	1 = 6 LED's/ft. (Perimeter) 2 = 7 LED's/ft. (Batwing) 3 = 4LED's/ft. (Batwing) 4 = 42LED's/ft. (LED Panel) 5 = 54LED's/ft. (LED Panel) 6 = 27LED's/ft. (LED Panel) 7 = Non-lit	W = White B = Blue G = Green R = Red X = Custom N = Non-lit	1 = 3000k 2 = 3500k 3 = 4100k 4 = 6400k 5 = 5600k 6 = 5000k X = Custom N = Non-lit	S = Silver B = Black W = White X = Custom	A = LED on 2 Long Edges B = LED on 1 Long Edges C = LED on all 4 Edges N = Not Applicable		0 = None X = Define Requirement in Extended Description
SEG5 = 4" Single Side Header (Batwing Only)													
Example: SEG3-4800-3000-11W55A-0													

## MOUNTING PROVISIONS

