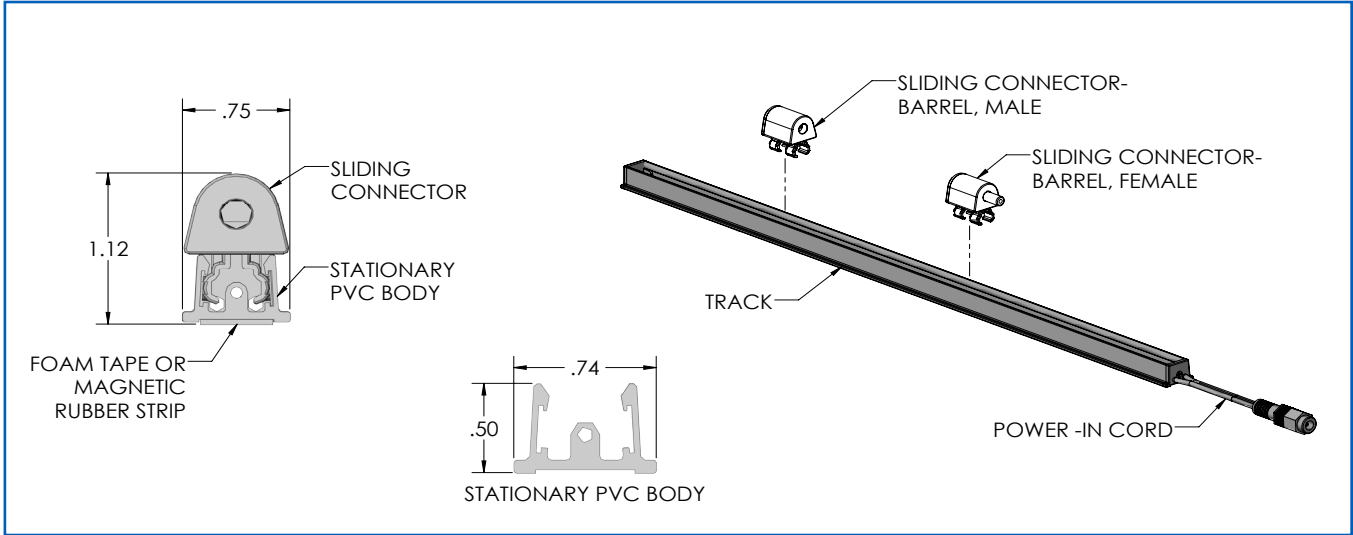


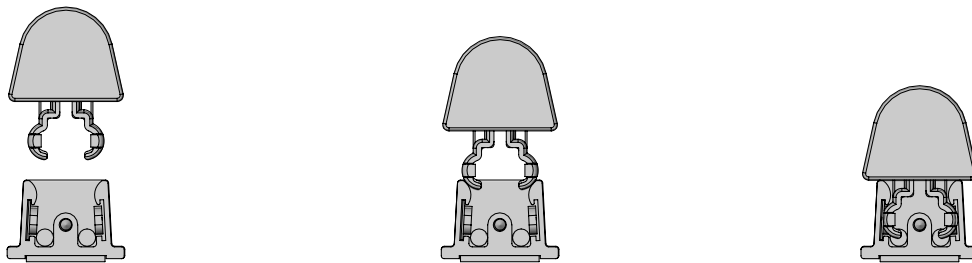
Busbar Power Distribution System



DRAWINGS



SLIDING CONNECTOR SNAPS ON TO BUSBAR

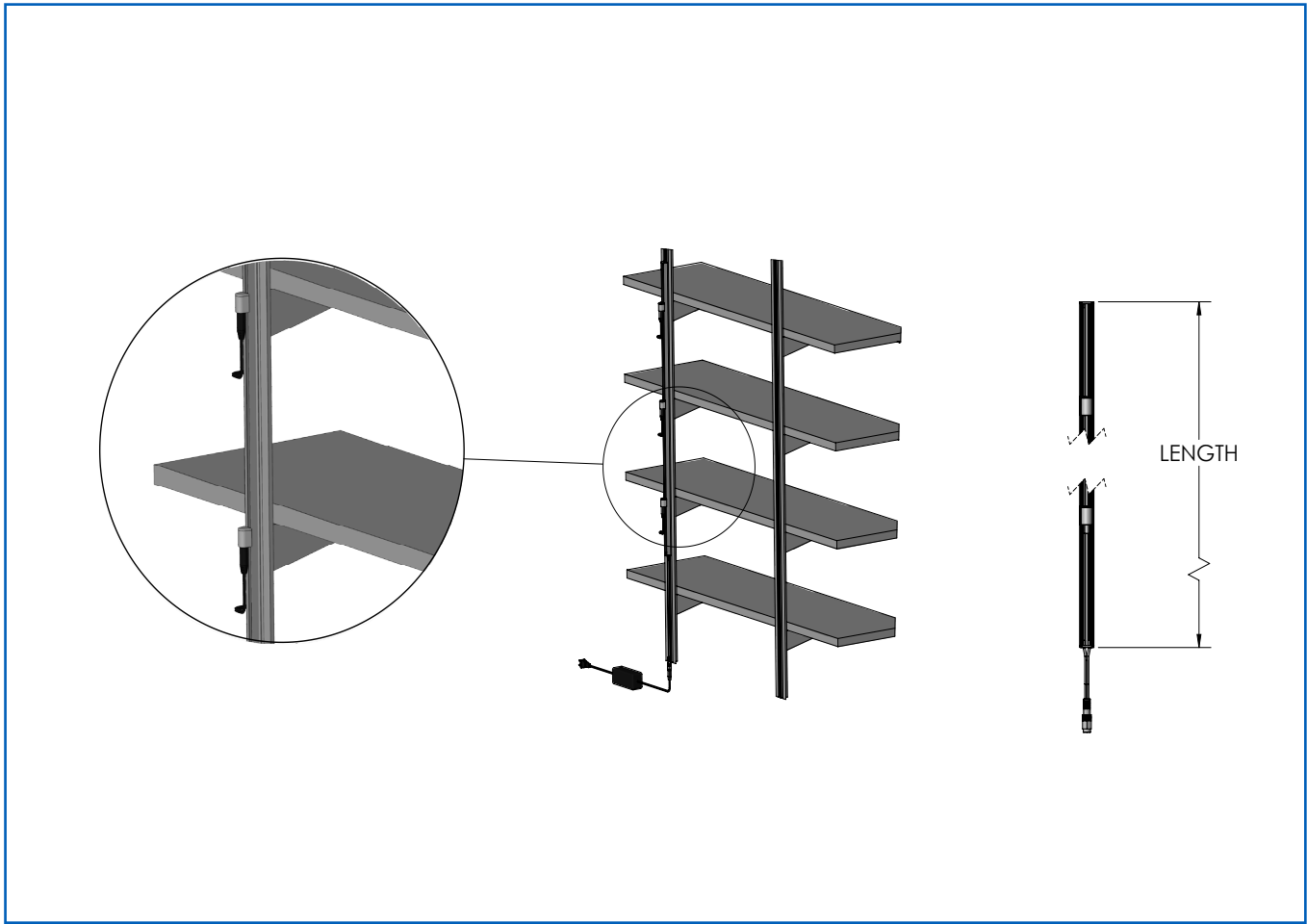


SPECIFICATIONS

Connector type	2.1mm x 5.5m Barrel-style
LED Voltage	12v
Mounting Method	Magnetic / Adhesive
Environment	Dry Location
Certifications	UL
Warranty	3 years

FEATURES

- Light weight extruded plastic Bus Bar
- Up to 8.0 Amps max capacity per Bus Bar
- Up to 3.0 Amps max capacity per Sliding Connector
- Easy to install
- Utilizes industry standard Barrel-style connectors
- Standard Finishes: Black & White; custom colors available
- UL listed



ORDERING INFORMATION

BUSBAR	PDS	-	BB	-	2250	-	036	-	BK	-	000
	Model		Fixture		Length		Power-IN Cord Length		Finish		Deviation
	PDS = Power Distribution System		BB = Busbar		5600 = 56.00" 2250 = 22.50"		036 = 36" 144 = 144"		BK = Black WH = White XX = Custom		
	Example: PDS-BB-2250-036-BK-000										

SLIDING CONNECTOR	PDS	-	CON	-	M	-	BK	-	000
	Model		Fixture		Gender		Finish		Deviation
	PDS = Power Distribution System		CON = Connector		M = Male F = Female		BK = Black WH = White XX = Custom		
	Example: PDS-CON-M-BK-000								

Busbar Power Distribution System