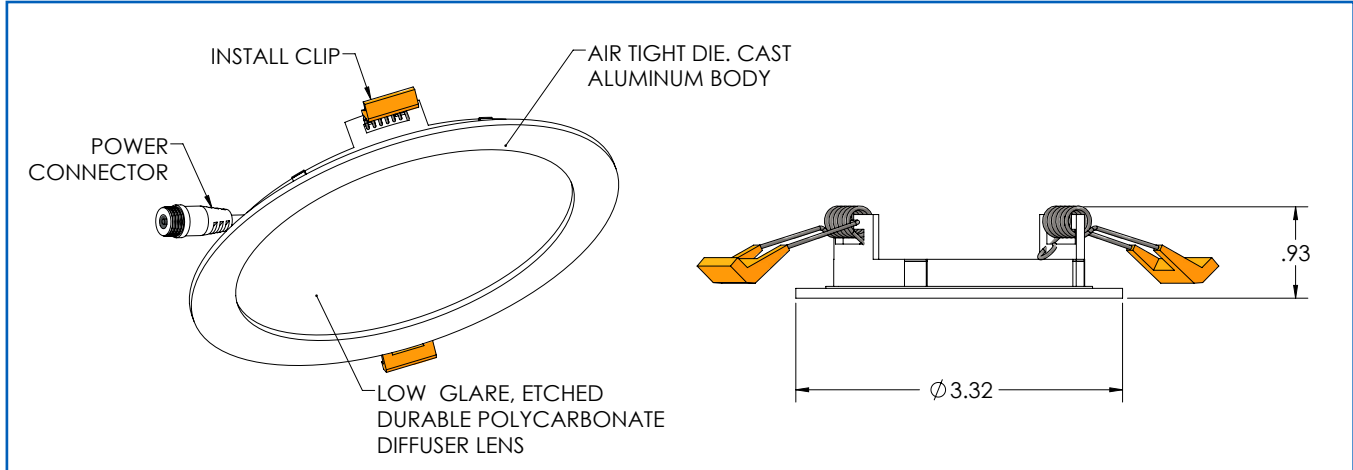


3" RECESSED DISC LIGHT



DRAWINGS



SPECIFICATIONS

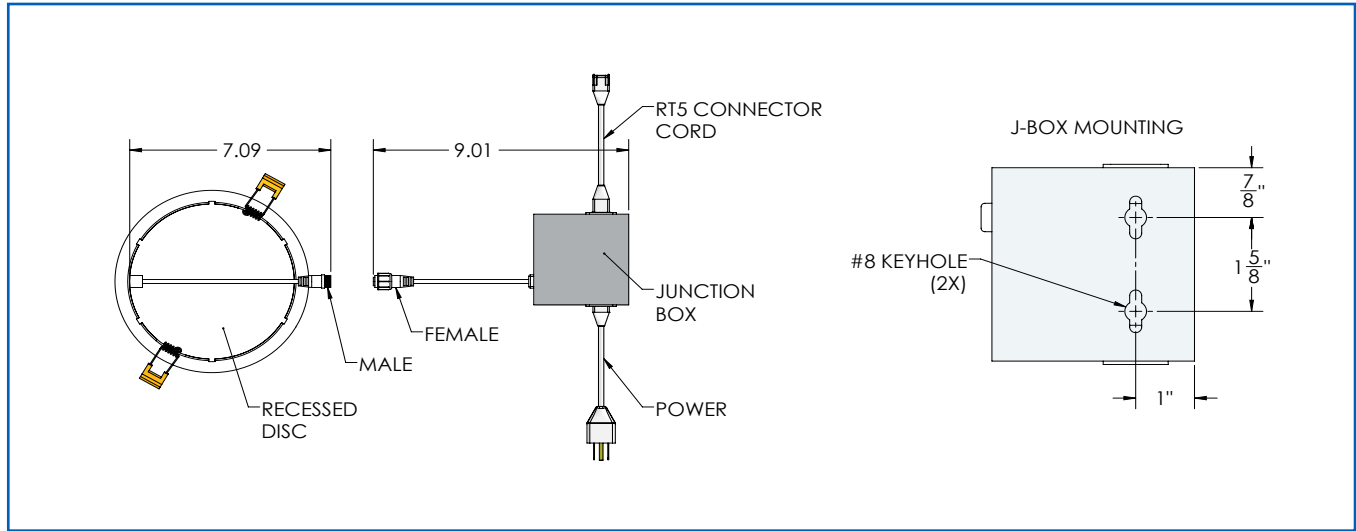
LED Chip Size	2835 LED
Wattage	6W
Lumens	680
Diode Efficacy (lm/W)	75-95
Color Temps (K)	3500K, 4000K, & 6000K
Operating Temp	-20°C to 40°C (-4°F to 104°F)
Lamp Life (L70@45°C)	50,000 hrs @ 70% Output
Beam Angle	110°
Input Voltage	110v-120v
Mounting Method	2 Spring loaded clips
Environment	Indoor, Damp
Certifications	cETL, usETL, Energy Star, CE, RoHs
Warranty	3 Year

FEATURES

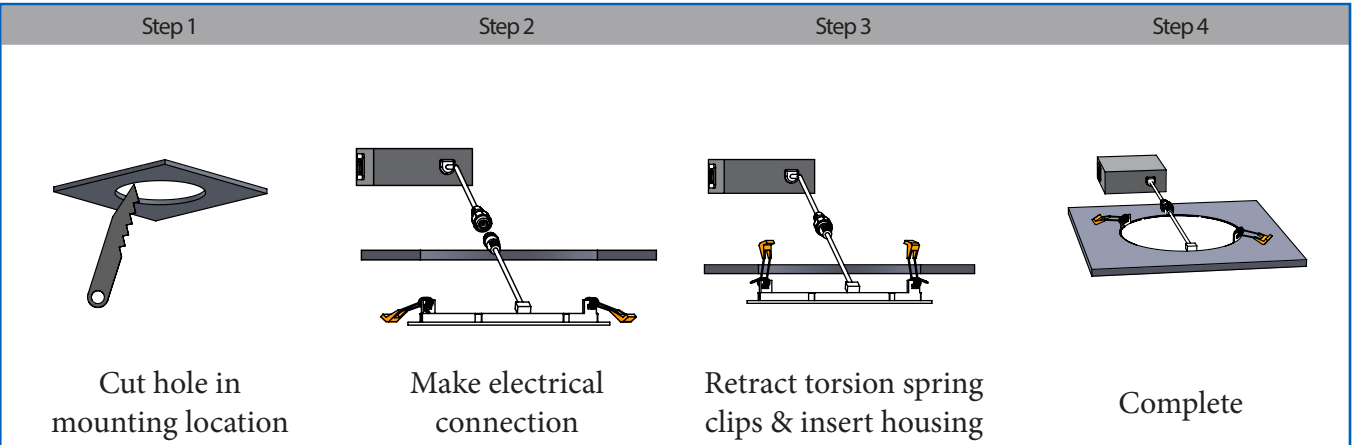
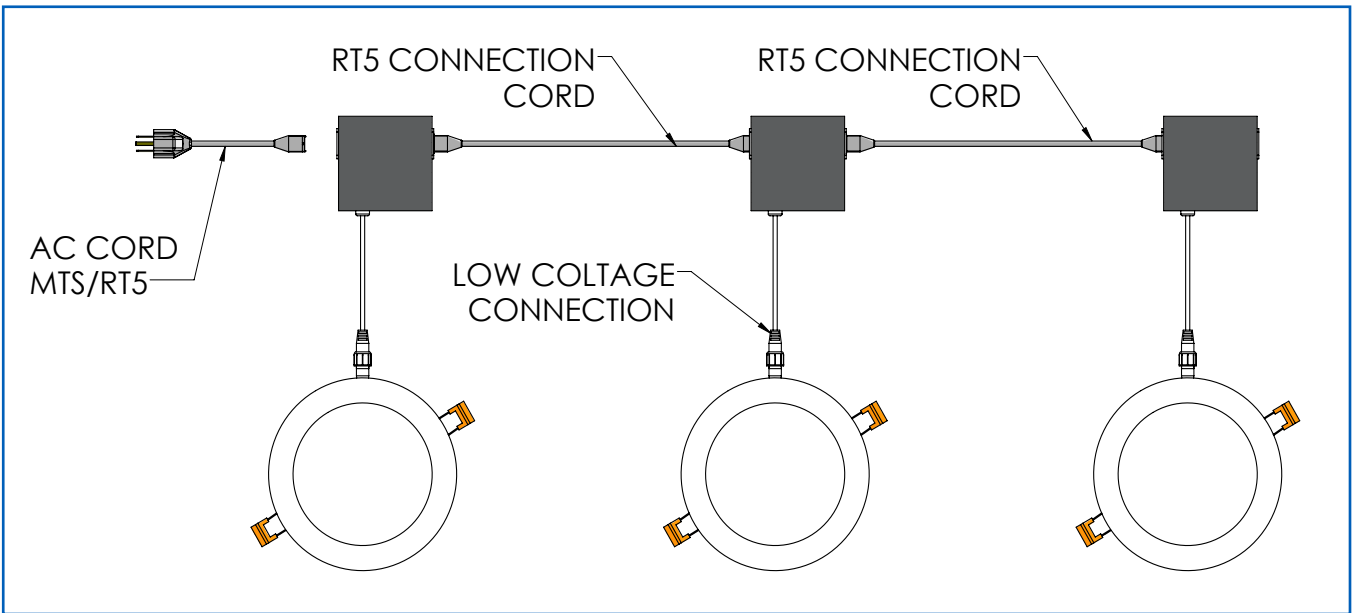
- Available in 3500K, 4000K, & 6000K
- Extremely high and even light output
- Up to 50,000 hrs usable life
- ETL approved
- Energy Star Certified
- Suitable for insulation contact (IC)
- Compatible with industry standard triac/ELV dimmers (100%-10%) ELV
- Daisy-chainable
- 3yr Warranty
- CE, ETL, RoHs

ORDERING INFORMATION

RDL	-	LED	-	03	-	40	-	WH	-	00
Model		LED Light Source		Size		CCT (K-value)		Trim Color		Variations
RDL = Recessed Disc LED				03 = 3" Diameter		60 = 6000k 40 = 4000k 35 = 3500k		WH = White BK = Black SN = Satin Nickel		00 = None
Example: RDL-LED-03-40-WH-00										



Daisy-Chaining Option



3" RECESSED DISC LIGHT