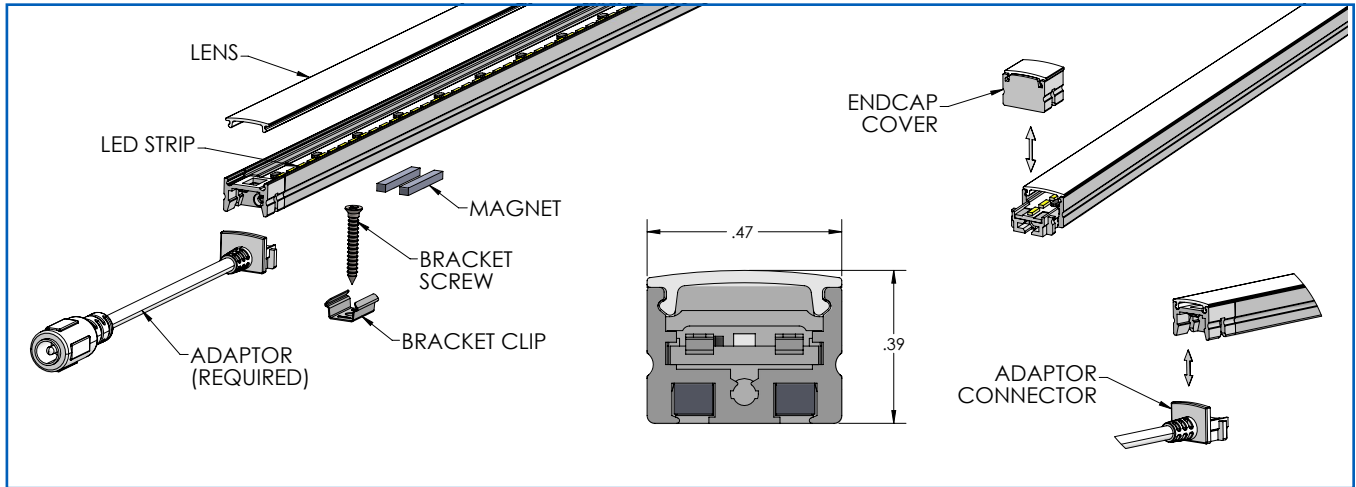


HO MicroConnect LED STRIP



DRAWINGS



SPECIFICATIONS

Nominal Size (FT)	1 FT	2 FT	3 FT	4 FT
Actual Size (in)	11.87	22.13	34.25	45.47
Amps (mA)	360	720	1.08	1.44
Wattage (W)	4.0	8.3	13.0	17.3
Lumens (lm)	550	1100	1700	2350
Max Run (Ft) (Variable by length)	15	7	4	3
LEDs/ft	48/ft			
Color Temps (K)	3000K, 4100K, & 6000K			
Operating Temp	-30°C to 85°C			
Lamp Life (L70@45°C)	60,000 hrs			
Beam Angle	120°			
LED Module Voltage	12 VDC			
Module Outside Dims (W x H)	.47" x .39"			
Cover Material	Polycarbonate			
Mounting Method	Bracket Clip, & Magnetic			
Wiring Specs	20 ga AWM2468x2C			
Connector Specs	Friction Quick Disconnect			
Environment	Indoor, Dry			
Certifications	ETL/UL, NSF			
Warranty	3 Year			

FEATURES

- No visible hot spots
- Low profile - 3/8" Height
- Continuous illumination between LED fixtures
- Dimmable
- Standard lengths: 11", 22", 34" & 46"
- Aluminum extruded body
- Protective lens - White
- Easy installation
- Hardware Kit Includes: Bracket Clips, Screws
- Modular End-to-End connections
- UL & NSF approved

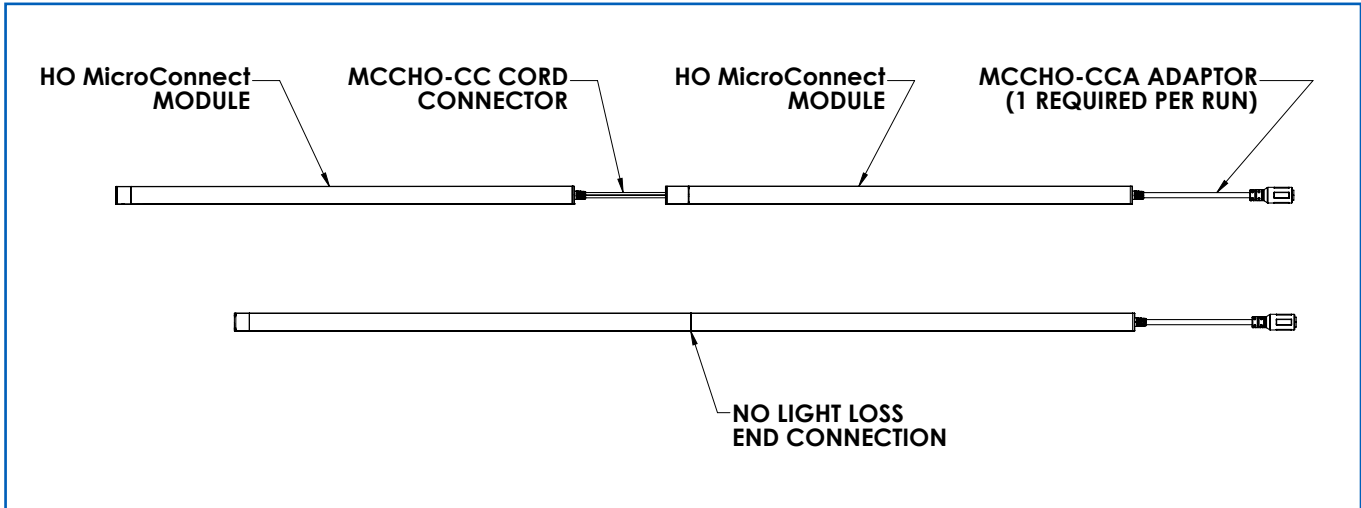
Standard Module Lengths	
11" = 11.87"	22" = 22.13"
34" = 34.25"	46" = 45.47"

ORDERING INFORMATION

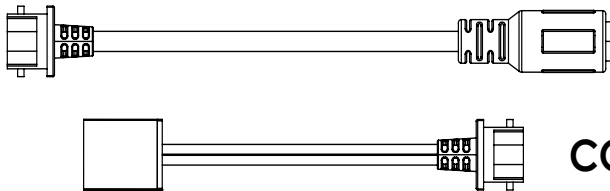
HO MicroConnect LED STRIP ORDERING INFO							
MCCHO	-	B	-	1100	-	36	W 60 000
Model		Lens Type		Module Designation		LED/FT	LED Color Temp (Kelvin) Variations
MCCHO=HO Micro-Connect		B=White		1100=11" 2200=22" 3400=34" 4600=46"		36=48 LED's/FT	W=White 1=3000 3=4100 60=6000
Example: MCCHO-B-1100-36W6-000							

HO MicroConnect CONNECTORS					
MCCHO	-	CCA	-	012	- W 000
Model		Connector Type		Length	Cord Color Variations
MCCHO=HO Micro-Connect		CCA= Power Adaptor Cord CC= Cord Connector		006=6" 012=12" 024=24" 048=48" 072=72" 096=96"	W=White 000=Std
Example: MCCHO-CCA-012-W-000					

SAMPLE APPLICATION LAYOUTS



RELATED ACCESSORIES



POWER ADAPTOR CORD (CCA)

CONNECTOR CORD (CC)

Length	2"	6"	12"	24"	36"	48"	72"	96"
CCA	NO	YES	YES	YES	YES	YES	YES	YES
CC	YES	YES	YES	YES	YES	YES	NO	NO

Note: In-Line switch option available on 96" power cord

LENGTH & KITS

STANDARD MODULE LENGTHS		HO MicroConnect KITS		
48/FT		MCCHO	-	HDW-KIT-001
11" = 11.87"		Model		Kit
22" = 22.13"		MCCHO=		HDW-KIT-001 = Hardware Mount Kit (Includes 2 bracket clips, & 2 screws) (1) hardware kit included with every LED strip
34" = 34.25"		HO		
46" = 45.47"		MicroConnect		

POWER SUPPLY

ORDERING INFORMATION	PS	L	-	0250	-	M	072	-	F	072	-	000
	Model	Body Style		Output Amps		Power-In Connector (AC)	Power-In Cord Length		Power-Out Connector (DC)	Power-Out Cord Length		Variations
	PS= Constant Voltage Power Supply	L=Inline 12V P=Wall Plug 12V		0100=1.00 0250=2.50 0500=5.00 0700=7.00 1000=10.00		M=Male F=Female	072=72"		M=Male F=Female	072=72"		000=none
	Example: PSL-0250-M072-F072-000											

HOW TO SIZE THE POWER SUPPLY:

- 1) Combine the Nominal Linear Feet of all LED strips. (1FT + 3FT = 4FT)
- 2) Multiply the Nominal Linear Feet x LEDs/ft to get # of LEDs. (4FT x 48 LEDs/ft = 192 LEDs)
- 3) Multiply # of LEDs x VF to get Total Amps. (192 LEDs x .0075 = 1.44 Total Amps)
- 4) Choose the appropriate Power Supply Based on Total Amps.
(I.E. - If Total Amps = 1.44, then choose 2.5 Amp Power Supply)

VF=Voltage Factor
0.0075 - 4014 chip

HO MicroConnect LED STRIP

