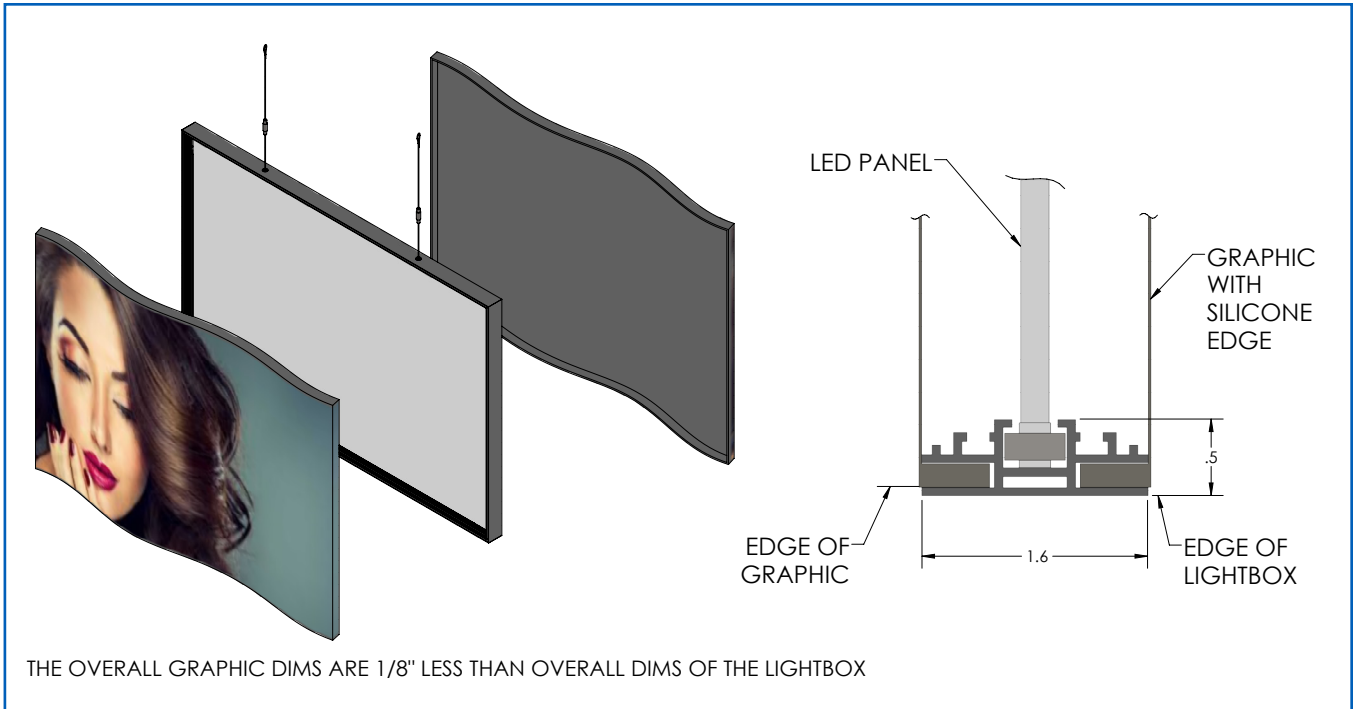


SEG FABRIC LED LIGHTBOX: LOW PROFILE, DOUBLE SIDED



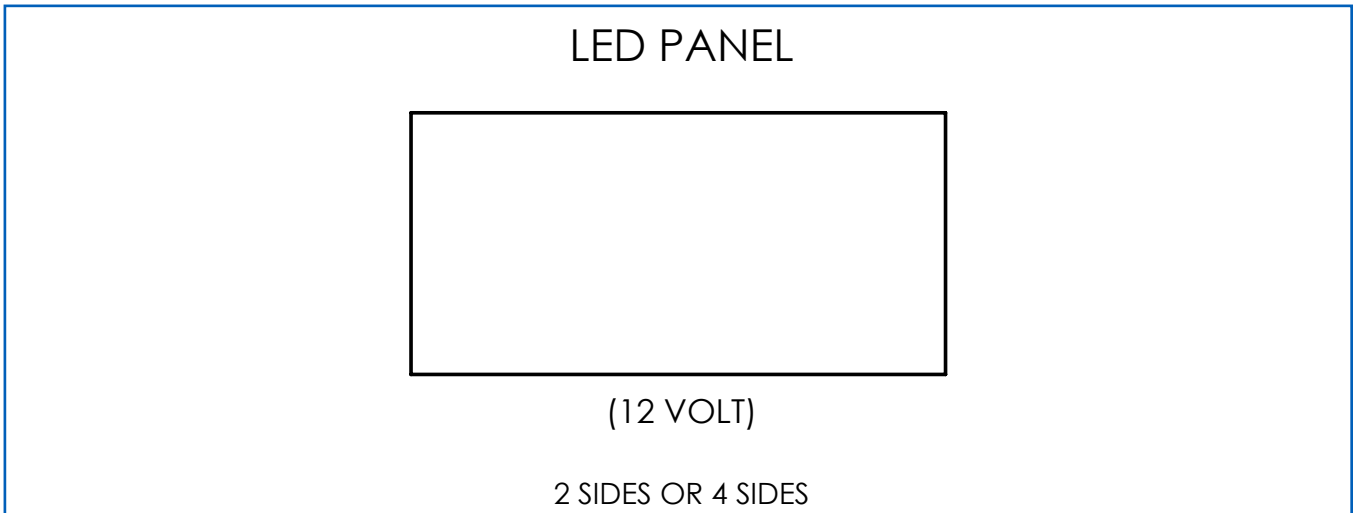
DRAWINGS



FEATURES

- Large-scale, high-impact graphics
- Custom sizes and colors available
- Easy to install & maintain
- Up to 60,000 hrs useable life
- Easy to replace graphics
- Lightweight Aluminum frame
- Wall mounted, suspended or free standing
- Available in 3500K, 4100K, & 6000K
- LED lighting applications
- UL approved

LED LIGHTING OPTIONS



SEG FABRIC LED LIGHTBOX: LOW PROFILE, DOUBLE SIDED



SPECIFICATIONS

LED Chip Type	Panel (12v)	
LED Chip Size	3020	
LEDs / ft	42/ft	54/ft
LED Wattage/ft	6.7wt/ft	8.6wt/ft
Lux Range	2500 to 6000 Lux	
LED Operating Temp	-30°C to 85°C	
LED PCB & Circuit	FR4, Copper Circuit	
LED Color Temp	3500K, 4100K, & 6000K	
Lamp Life (L70@45°C)	60,000 hrs	
Wiring Specs	22ga (AWM 2468x2C, AWM 2464x2C)	
Connector Specs	2.1mm DC Barrels, Molex, Flat Pin, Pigtail	
Environment	Indoor	
Graphics	Customer Supplied	
Certifications	UL	
Warranty	3 Year	

ORDERING INFORMATION

SEG2	-	4800	-	3000	-	3	5	W	5	S	A	-	0
Frame Style		Long Side (Inches)		Short Side (Inches)		Lighting Type	LED's/ft	LED Color	K-Value	Frame Color	Variations (Perimeter/ Panels)		Deciations
SEG2 = Low Profile, Double Side (1.5")		4800 = 48.00"		3000 = 30.00"		3 = LED Panel N = Non-lit	4 = 42LED's/ft. (LED Panel) 5 = 54LED's/ft. (LED Panel) 6 = 27LED's/ft. (LED Panel) 7 = Non-lit	W = White B = Blue G = Green R = Red X = Custom N = Non-lit	1 = 3000k 2 = 3500k 3 = 4100k 4 = 6400k 5 = 5600k 6 = 5000k X = Custom N = Non-lit	S = Silver B = Black W = White X = Custom	A = LED on 2 Long Edges B = LED on 1 Long Edges C = LED on all 4 Edges N = Not Applicable		0 = None X = Define Requirement in Extended Description
Example: SEG2-4800-3000-35W5SA-0													

MOUNTING PROVISIONS

