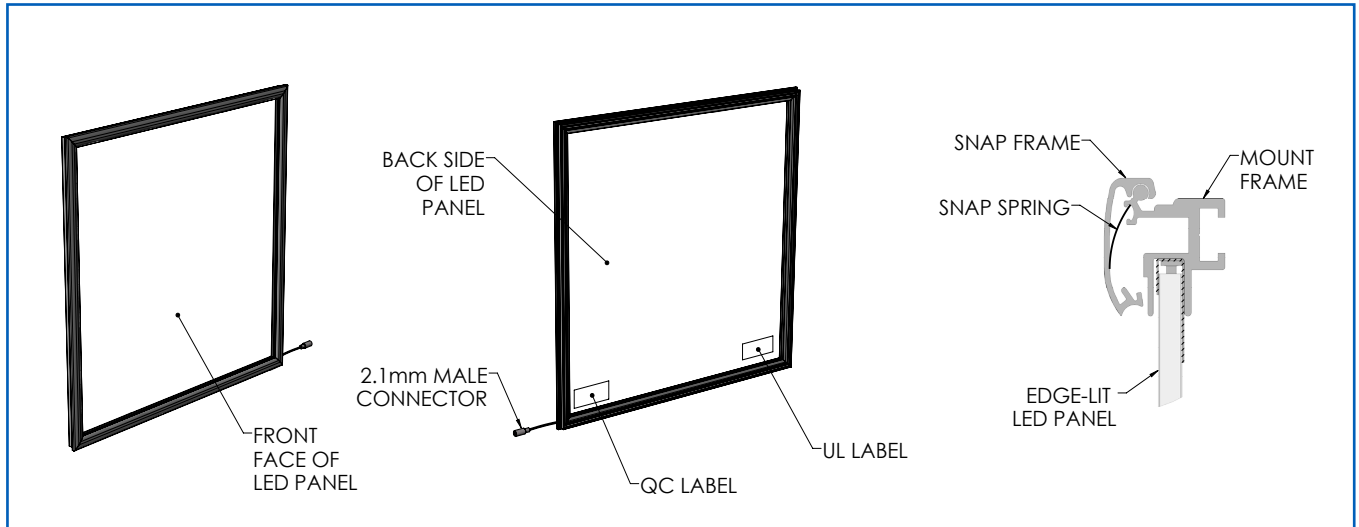


LED LOW PROFILE SNAP FRAME LIGHTBOX



DRAWINGS



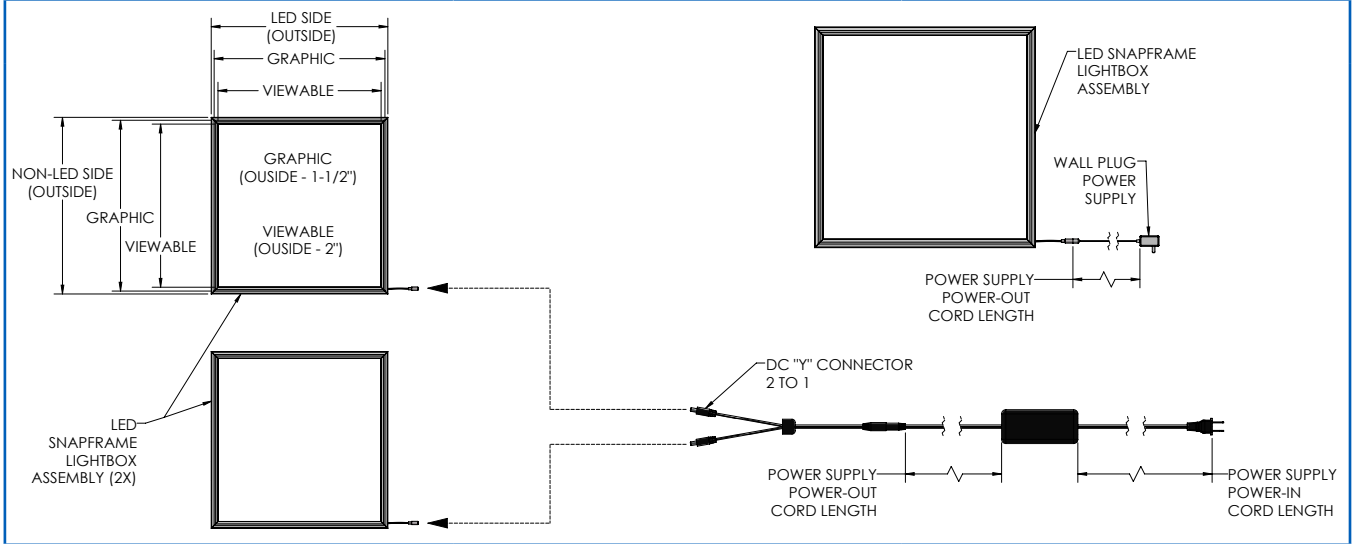
SPECIFICATIONS

LED Chip Size	3020				5050/5630	
LEDs / Ft	18	36	42	54	27	30
LED Wattage/Ft (2 Edge)	2.8	5.8	6.7	8.6	13.0	14.4
Lux Range	2500 to 6000 Lux					
Max LED Edge Length (Inches)	96"					
Max Inches Between Edges	48"					
LED Operating Temp	-30°C to 85°C					
LED PCB & Circuit	FR4, Copper Circuit					
LED Color Temp	3000K, 3500K, 4100K, 5600K & 6400K					
Lamp Life (L70@45°C)	60,000 hrs					
Panel Material	4mm to 6mm Screened Acrylic, Polished Edges					
Wiring Specs	22ga (AWM 2468x2C, AWM 2464x2C)					
Connector Specs	2.1mm DC Barrels, Molex, Flat Pin, Pigtail					
Environment	Indoor, Outdoor					
Certifications	UL					
Warranty	3 Year					

FEATURES
<ul style="list-style-type: none"> • Low profile aluminum frame (less than 1") • Available as single or double-faced • Custom sizes and colors available • High intensity LEDs • Easy to install and replace graphics (max .030" thickness) • Available in 3000K, 3500K, 4100K, 5600K, & 6400K • Up to 60,000 hrs useable life • Panel sizes up to 8' x 4' • Connecting cables available for daisy chain

ORDERING INFORMATION

LB	4	S	E	-	01200	-	01200	-	05	W	4	-	S	-	A
Model	Frame Style	Output Direction	Light Direction		LED Side (Inches)		Non-LED Side (Inches)		LED/FT	LED Color	Temp (Kelvin)		Frame Color		Variations
LB= Light Box	4= Low Profile Snap Down	S= Single Faced	E= Edge Lit		01200= 12.00"		01200= 12.00"		01=18/FT - 3020 CHIP 02=30/FT - 3020 CHIP 03=36/FT - 3020 CHIP 04=42/FT - 3020 CHIP 05=54/FT - 3020 CHIP 06=27/FT - 5050 CHIP 14=27/FT - 5630 CHIP	W= White B= Blue G= Green R= Red Y= Yellow Z= RGB	1=3000 2=3500 3=4100 4=6400 5=5600 6=5000		B= Black S= Silver W= White X= Custom		A= 2 LED Edges (Std) B= 1 LED Edge C= 4 LED Edges X= Custom
Example: LB4SE-1200-1200-05W4-S-A															



ORDERING INFORMATION

PS	L	-	0250	-	M	072	-	F	072	-	000
Model	Body Style		Output Amps		Power-In Connector	Power-In Cord Length		Power-Out Connector	Power-Out Cord Length		Variations
PS= Constant Voltage Power Supply	L=Inline 12V P=Wall Plug 12V L24=Inline 24V P24=Wall 24V		0100=1.00 0250=2.50 0500=5.00 0700=7.00 1000=10.00		M=Male F=Female	072=72"		M=Male F=Female	072=72"		000=none

SIZING INSTRUCTIONS

Figure Linear Feet of LEDs by combining all LED sides. (12" + 12" = 24", then 24"/12 = 2 Linear Feet of LEDs)

Multiply Linear Feet x LED/Ft to get # of LEDs. (2 Ft x 54/Ft = 108 LEDs)

Multiply # of LEDs x VF to get Total Amps. (108 LEDs x .0067 = 0.72 Total Amps)

Choose appropriate Power Supply Based on Total Amps.

(I.E. - If Total Amps = 0.72, then choose 1.0 Amp Power Supply)

(DO NOT EXCEED TOTAL AMPS)

VF=Voltage Factor
0.0067 for 3020 chip 12V
0.02 for 5050/5630 chip 12V

LED-CC-036-MF	PS-1M05-2F06-000	PS-1M05-3F06-000	PS-1M05-4F06-000
DC Connector Cord, 36" Overall Length, Incoming 2.1mm Straight Male, 2464 Round Cord Type, Outgoing 2.1mm Straight Female	DC Y Connector, 6" Overall Length, (1) Incoming 2.1mm Male, (2) Outgoing 2.1mm Female	DC Y Connector, 11" Overall Length, (1) Incoming 2.1mm Male, (3) Outgoing 2.1mm Female	DC Y Connector, 11" Overall Length, (1) Incoming 2.1mm Male, (4) Outgoing 2.1mm Female

LED LOW PROFILE SNAP FRAME LIGHTBOX