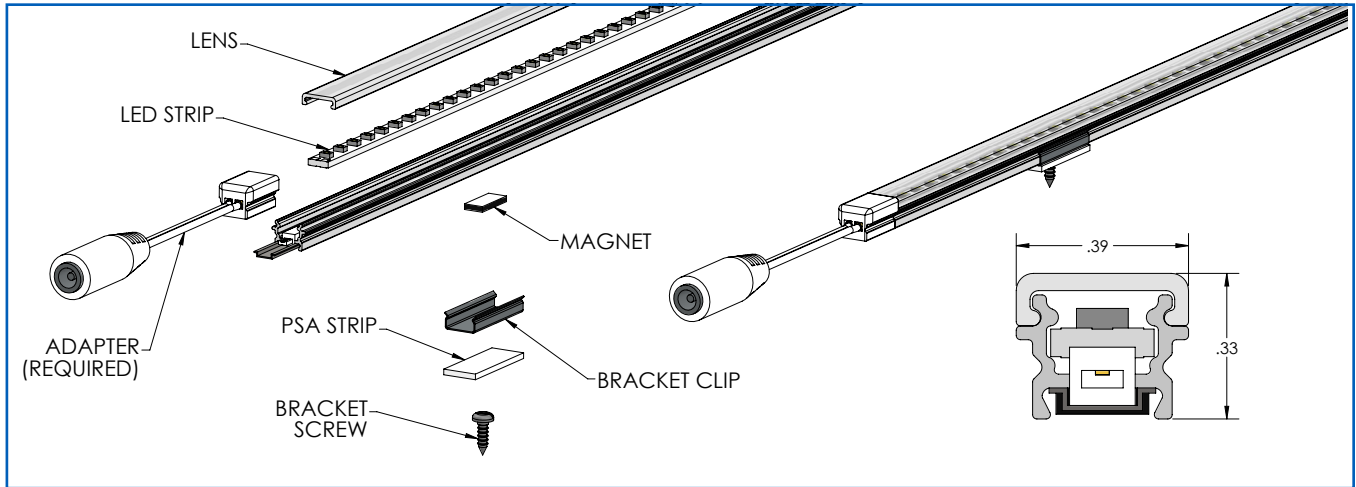


MicroConnect LED STRIP



DRAWINGS



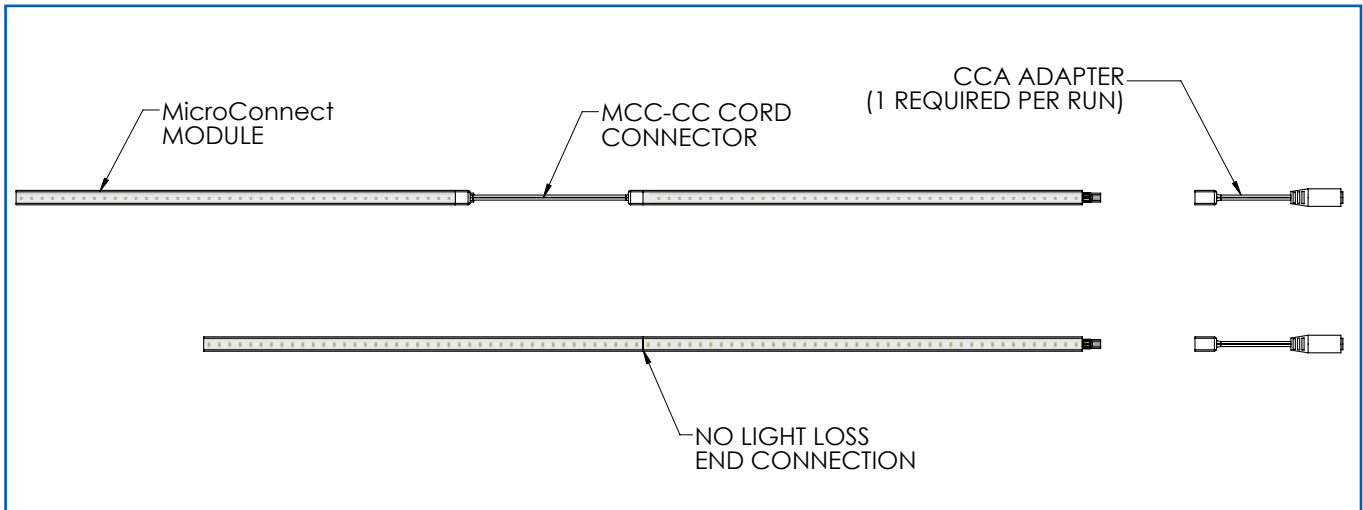
SPECIFICATIONS

		3020		FEATURES	
LED Chip Size		3020		<ul style="list-style-type: none"> • Low profile - Less than 3/8" Height • Continuous illumination between strips • Standard lengths - 6", 10", 22", 34" & 46" • Aluminum extruded body for heat sink • Protective plastic lens - Clear or White • Easy installation • Hardware Kit Includes Bracket, Magnets, & PSA • Modular End-to-End connections • Multiple Brightness Levels: 21 or 42 • UL & NSF approved 	
LEDs / Ft		21	42		
LED Current (mA)		20	20		
Wattage / Ft (W)		1.7	3.4		
Lumens / Ft (lm)		126	252		
Diode Efficacy (lm/W)		80	80		
Max Run (Ft) (Variable by length)		20'	10'		
PCB & Circuit Material		.06" FR4, Copper Circuit			
Color Temps (K)		3500K, 4100K, 5600K, & 6400K			
Operating Temp		-30°C to 85°C			
Lamp Life (L70@45°C)		60,000 hrs			
Beam Angle		120°			
LED Module Voltage		12 VDC			
Module Outside Dims (W x H)		.39" x .33"			
Cover Material		Polycarbonate			
Mounting Method		Bracket Clip, PSA, & Magnetic			
Wiring Specs		20 ga AWM2468x2C			
Connector Specs		Friction Quick Disconnect			
Environment		Indoor, Dry			
Certifications		UL, NSF			
Warranty		3 Year			

ORDERING INFORMATION

MicroConnect LED STRIP ORDERING INFO								MicroConnect CONNECTORS										
MCC	A	-	1000	-	04	W	5	-	000	MCC	-	CCA	-	012	-	W	-	000
Model	Lens Type		Module Designation		LED/FT	Color	Temp (Kelvin)		Variations	Model		Connector Type		Length		Cord Color		Variations
MCC= Micro-Connect LED Strip	A=Clear B=White		0600=6" 1000=10" 2200=22" 3400=34" 4600=46"		10=21 LED's/FT 04=42 LED's/FT	W=White B=Blue G=Green R=Red Y=Yellow	2=3500 3=4100 4=6400 5=5600			MCC= Micro Connect		CCA=Power Adaptor Cord CC=Cord Connector		006=6" 012=12" 024=24" 048=48" 072=72" 096=96"		W=White		000=Std
Example: MCCA-1000-04W5-000										Example: MCC-CCA-012-W-000								

SAMPLE APPLICATION LAYOUTS



RELATED ACCESSORIES

POWER ADAPTOR CORD (CCA)

CONNECTOR CORD (CC)

Length	2"	6"	12"	24"	36"	48"	72"	96"
CCA	NO	YES	YES	YES	YES	YES	YES	YES
CC	YES	YES	YES	YES	YES	YES	NO	NO

Note: In-Line switch option available on 96" power cord

LENGTH & KITS

STANDARD MODULE LENGTHS		MicroConnect KITS			
21/FT	42/FT	MCC	-	HDW-KIT-001	
6" = 6.85" 10" = 10.28" 22" = 22.28" 34" = 34.28" 46" = 46.28"	6" = 6.00" 10" = 10.28" 22" = 22.28" 34" = 34.28" 46" = 46.28"	Model		Kit	
		MCC=Micro-Connect		HDW-KIT-001 = Hardware Mount Kit (Includes 2 bracket clips, 2 screws, & 2 PSA strips) (1) hardware kit included with every LED strip	

POWER SUPPLY

ORDERING INFORMATION	PS	L	-	0250	-	M	072	-	F	072	-	000
	Model	Body Style		Output Amps		Power-In Connector (AC)	Power-In Cord Length		Power-Out Connector (DC)	Power-Out Cord Length		Variations
	PS= Constant Voltage Power Supply	L=Inline 12V P=Wall Plug 12V		0100=1.00 0250=2.50 0500=5.00 0700=7.00 1000=10.00		M=Male F=Female	072=72"		M=Male F=Female	072=72"		000=none
	Example: PSL-0250-M072-F072-000											

SIZING CHART

- Combine Linear Feet of all LED strips. (22" + 22" = 44", then 44"/12 = 3.67 Linear Feet of LEDs)
- Multiply Linear Feet x LED/Ft to get # of LEDs. (3.67 Ft x 21/Ft = 77 LEDs)
- Multiply # of LEDs x VF to get Total Amps. (77 LEDs x .0067 = 0.516 Total Amps)
- Choose appropriate Power Supply Based on Total Amps.
(I.E. - If Total Amps = 0.539, then choose 1.0 Amp Power Supply)

VF=Voltage Factor
0.0067 - 3020-20mA chip
0.02 - 3020-60mA chip

MicroConnect LED STRIP

