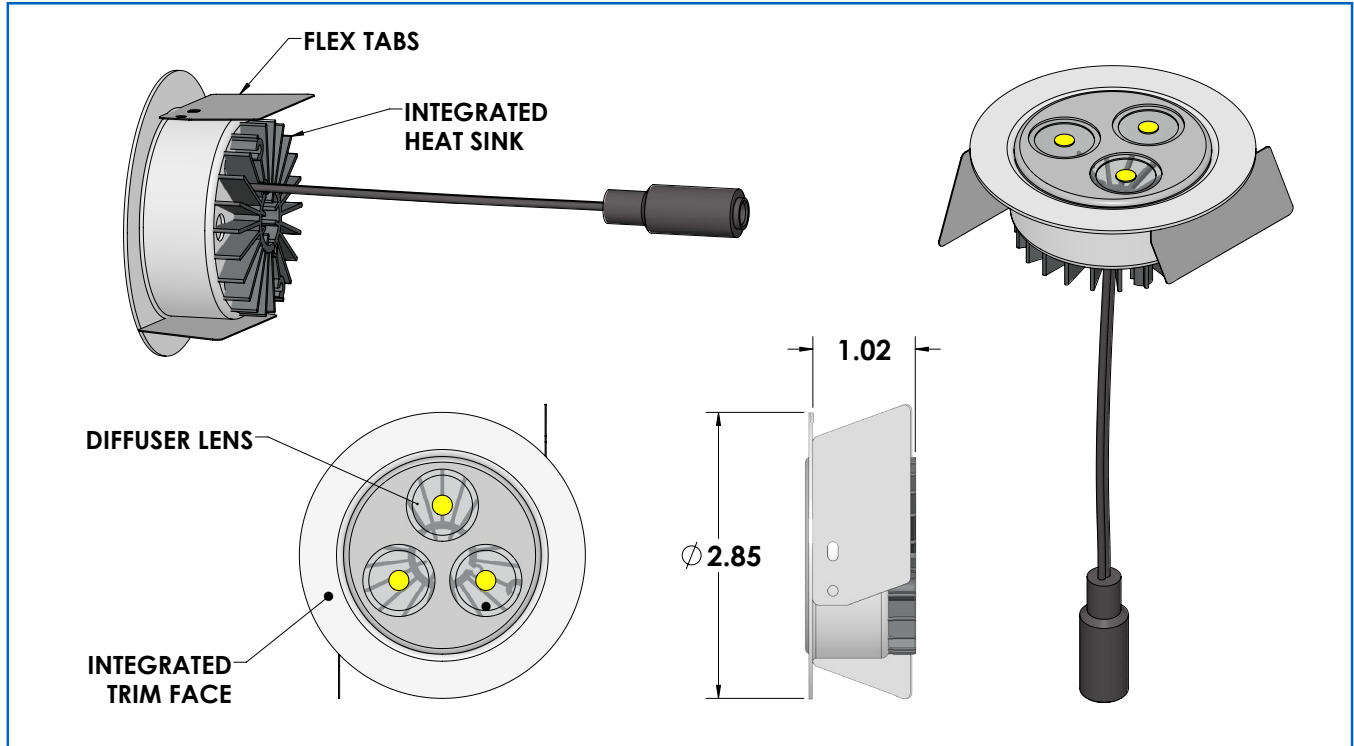


# HIGH OUTPUT LED PUCKLIGHT



## DRAWINGS



## SPECIFICATIONS

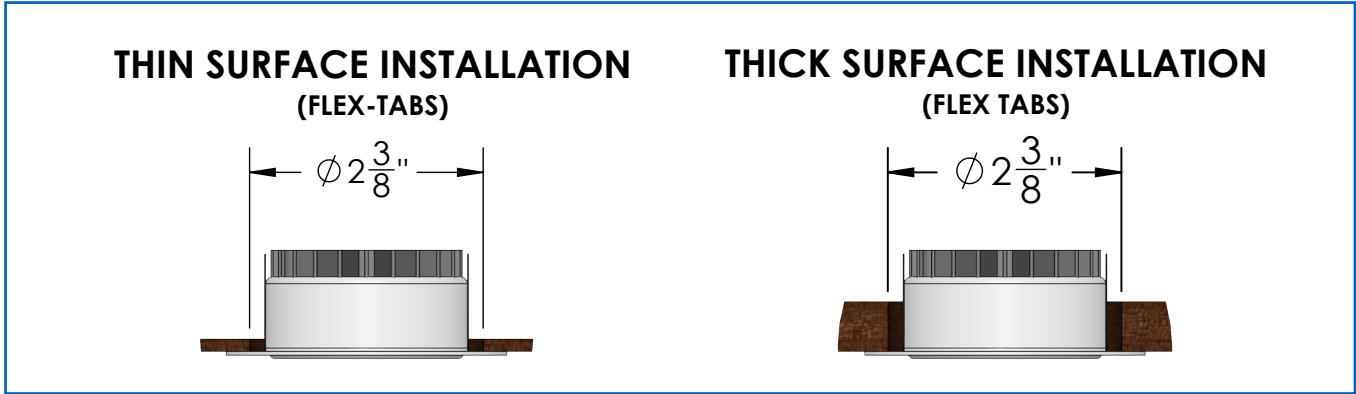
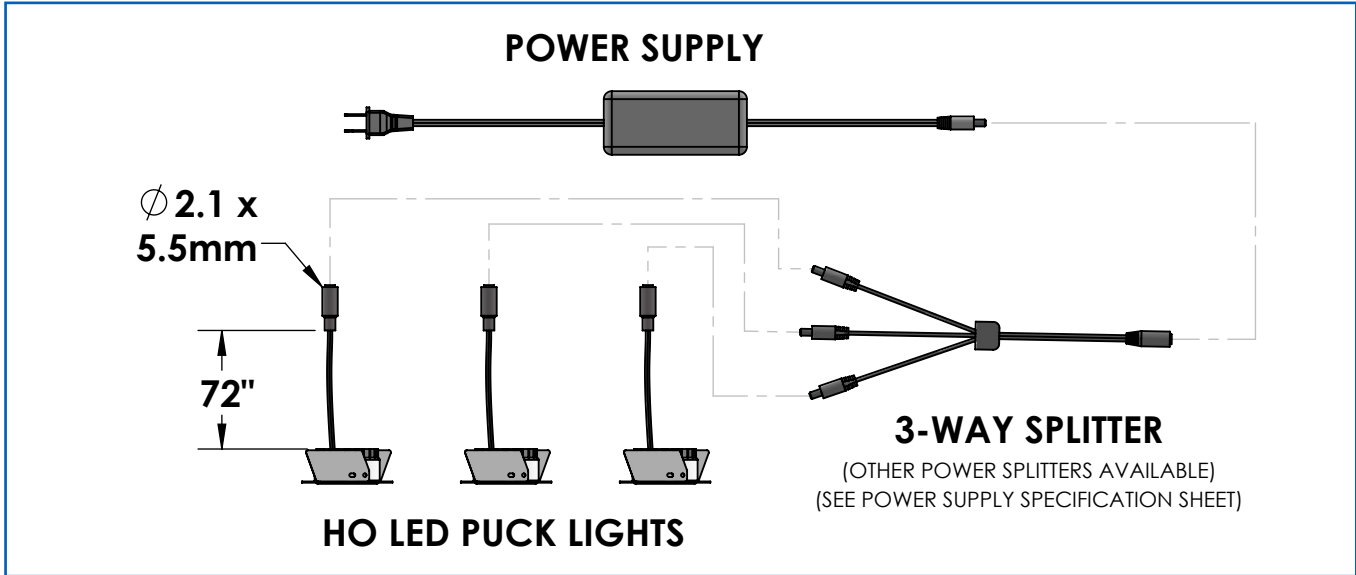
Dims (Diameter x Height)	2.85" x 1.02"
Lumen Output	260 lumens
Color Temps (K)	3500K, 4100K, 5600K, & 6400K
Operating Temp	-40°C to 105°C
Lamp Life (L70@45°C)	60,000 hrs
Beam Angle	15°
Wattage & Amperage, Voltage	3W @ 350mA, 12VDC
Mounting Hole Size	2 3/8"
Mounting Method	Friction Fit
Wiring Specs	22ga (AWM 2468x2C, AWM 2464x2C), 18ga (SPT-1x2C)
Environment	Indoor, Dry
Certifications	UL
Warranty	3 Year

## FEATURES

- Tool-less easy installation
- Available in 3500K, 4100K, 5600K, & 6400K
- Daisy chain compatibility with power splitters
- Up to 60,000 hrs useable life
- Multiple units per power supply
- UL approved

## ORDERING INFORMATION

PK	CV	-	LED	-	1	-	03W	64	-	NPL	-	001
Model	Frame Style		Lamp Type		# Pucks Per Kit		Watts/Puck	Temp (Kelvin)		Housing Color		Variations
PK = Puck	CV = Constant Voltage		LED = LED		1 = 1		03W = 3W	35=3500 41=4100 56=5600 64=6400		BLK = Black NPL = Nickel Plated WHT = White SLV = Silver Matte		001 = Flex Mounted Tabs
Example: PKCV-LED-1-03W64-NPL-001												



**ORDERING INFORMATION**

PS	L	-	0250	-	M	072	-	F	072	-	000
Model	Body Style		Output Amps		Power-In Connector	Power-In Cord Length		Power-Out Connector	Power-Out Cord Length		Variations
PS= Constant Voltage Power Supply	L=Inline 12V P=Wall Plug 12V L24=Inline 24V		0100=1.00 0250=2.50 0500=5.00 0700=7.00 1000=10.00		M=Male F=Female	072=72"		M=Male F=Female	072=72"		000=none

**SIZING INSTRUCTIONS**

- Figure Linear Feet of LEDs by combining all LED sides. (12" + 12" = 24", then 24"/12 = 2 Linear Feet of LEDs)
  - Multiply Linear Feet x LED/Ft to get # of LEDs. (2 Ft x 54/Ft = 108 LEDs)
  - Multiply # of LEDs x VF to get Total Amps. (108 LEDs x .0067 = 0.72 Total Amps)
  - Choose appropriate Power Supply Based on Total Amps.  
(I.E. - If Total Amps = 0.72, then choose 1.0 Amp Power Supply)  
(DO NOT EXCEED TOTAL AMPS)
- VF=Voltage Factor  
0.0067 for 3020 chip 12V  
0.02 for 5050/5630 chip 12V  
0.0067 for 3528 chip 12V

**HIGH OUTPUT LED PUCKLIGHT**

