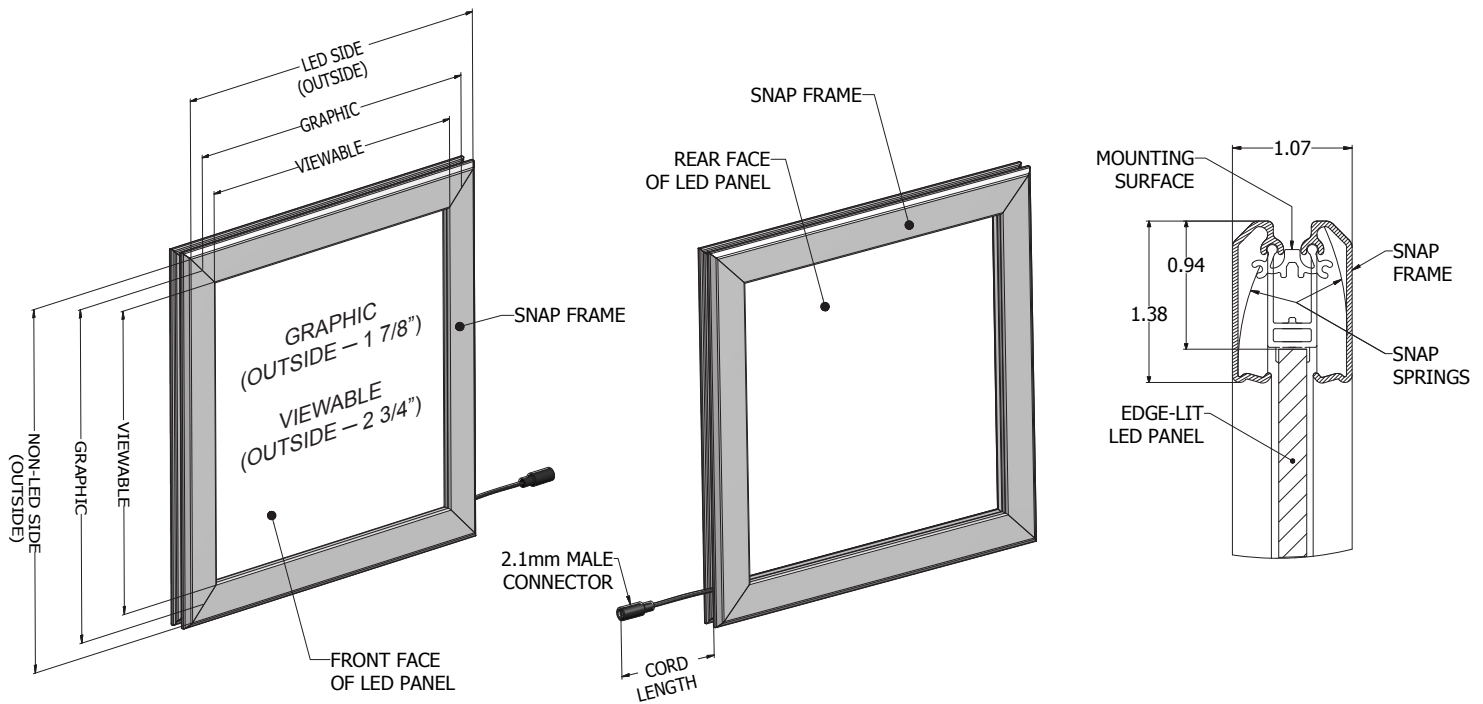


LED DOUBLE FACE SNAP FRAME LIGHTBOX



FEATURES

- Low profile, less than 1 1/8" thick
- Available as single or double-faced
- Custom sizes and colors available
- High intensity LEDs
- Easy to install & replace graphics
- Available in 3500K, 4100K, 5600K, & 6400K
- Up to 60,000 hrs useable life
- Panel sizes up to 8' x 4'
- Connecting cables available for daisy chain
- UL approved

SPECIFICATIONS

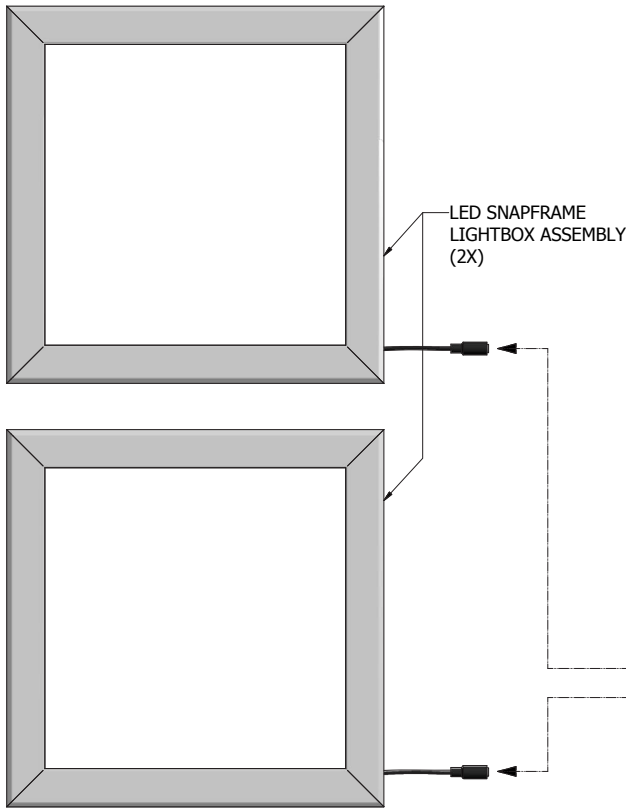
LED Chip Size	3020		5050			
LEDs / Ft	18	36	42	54	27	30
LED Wattage/Ft (2 Edge)	2.8	5.8	6.7	8.6	13.0	14.4
Lux Range	2500 to 6000 Lux					
Max LED Edge Length (Inches)	96"					
Max Inches Between Edges	48"					
LED Operating Temp	-30°C to 85°C					
LED PCB & Circuit	FR4, Copper Circuit					
LED Color Temp	3000K, 3500K, 4100K, 5600K, & 6400K					
Lamp Life (L70@45°C)	60,000 hrs					
Panel Material	4mm to 6mm Screened Acrylic, Polished Edges					
Wiring Specs	22ga (AWM 2468x2C, AWM 2464x2C)					
Connector Specs	2.1mm DC Barrels, Molex, Flat Pin, Pigtail					
Environment	Indoor, Outdoor					
Certifications	UL					
Warranty	3 Year					

LED STANDARD SNAP FRAME LIGHTBOX ORDERING INFORMATION

LB	1	D	E	-	1200	-	1200	-	05	W	4	-	S	-	A
Model	Frame Style	Output Direction	Light Direction		LED Side (Inches)		Non-LED Side (Inches)		LED/FT	LED Color	Temp (Kelvin)		Frame Color		Variations
LB= Light Box	1=Standard Snap Down	D=Double Faced	E=Edge Lit		1200=12.00"		1200=12.00"		01=18/FT - 3020 CHIP 02=30/FT - 3020 CHIP 03=36/FT - 3020 CHIP 04=42/FT - 3020 CHIP 05=54/FT - 3020 CHIP 06=27/FT - 5050 CHIP 07=30/FT - 5050 CHIP	W=White B=Blue G=Green R=Red Y=Yellow	1=3000 2=3500 3=4100 4=6400 5=5600 6=5000		B=Black S=Silver W=White R=Red		A= 2 LED Edges (Std) B= 1 LED Edge C= 4 LED Edges
Example: LB1DE-1200-1200-05W4-S-A															

LED DOUBLE FACE SNAP FRAME LIGHTBOX

SAMPLE APPLICATION LAYOUTS

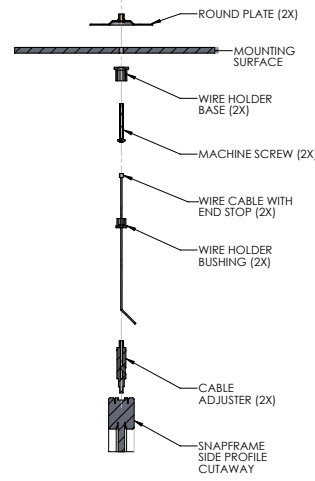


HANGING HARDWARE KIT

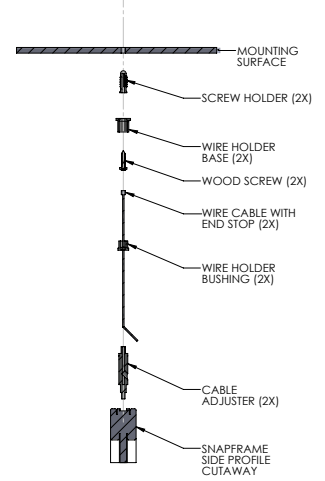
HDW LB1DE-HANG-1

(Includes 2X of Thru & Flush Mount Cable Assemblies)

THRU MOUNT



FLUSH MOUNT



POWER SUPPLY ORDERING INFORMATION

Model	Body Style	Output Amps	Power-In Connector	Power-In Cord Length	Power-Out Connector	Power-Out Cord Length	Variations
PS= Constant Voltage Power Supply	L=Inline 12V P=Wall Plug 12V L24=Inline 24V P24=Wall 24V	0100=1.00 0250=2.50 0500=5.00 0700=7.00 1000=10.00	M=Male F=Female	072=72"	M=Male F=Female	072=72"	000=none

RELATED CONNECTOR CORDS

	LED-CC-036-MF DC Connector Cord, 36" Overall Length, Incoming 2.1mm Straight Male, 2464 Round Cord Type, Outgoing 2.1mm Straight Female
	PS-1M00-2F06-000 DC Y Connector, 6" Overall Length, (1) Incoming 2.1mm Male, (2) Outgoing 2.1mm Female
	PS-1M05-3F06-000 DC Y Connector, 11" Overall Length, (1) Incoming 2.1mm Male, (3) Outgoing 2.1mm Female
	PS-1M05-4F06-000 DC Y Connector, 11" Overall Length, (1) Incoming 2.1mm Male, (4) Outgoing 2.1mm Female
	LED-CC-GENBEND DC Male Gender Bender

POWER SUPPLY SIZING INSTRUCTIONS

- 1) Figure Linear Feet of LEDs by combining all LED sides.
(12" + 12" = 24", then 24"/12 = 2 Linear Feet of LEDs)
- 2) Multiply Linear Feet x LED/Ft to get # of LEDs.
(2 Ft x 54/Ft = 108 LEDs)
- 3) Multiply # of LEDs x VF to get Total Amps.
(108 LEDs x .0067 = 0.72 Total Amps)
- 4) Choose appropriate Power Supply Based on Total Amps.
(I.E. - If Total Amps = 0.72, then choose 1.0 Amp Power Supply)
(DO NOT EXCEED TOTAL AMPS)

VF=Voltage Factor

0.0067 for 3020 chip 12V
0.0200 for 5050 chip 12V
0.0067 for 3528 chip 12V