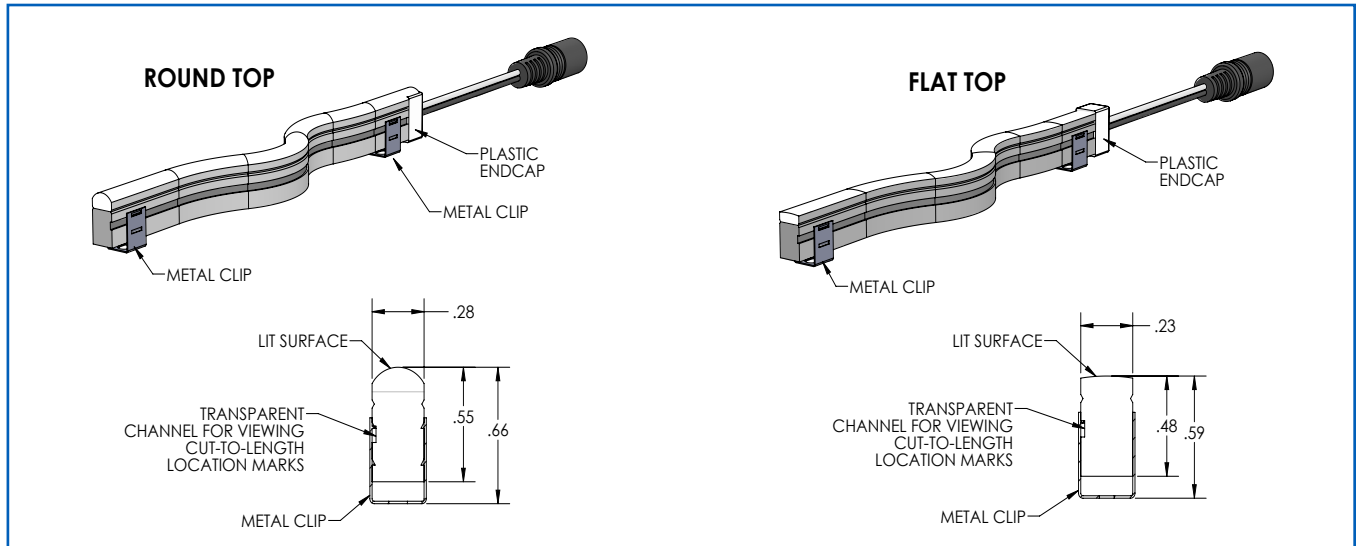


# NEO NEON FLEX LED STRIP



## DRAWINGS



## SPECIFICATIONS

Lit Surface Shape	Round, Flat			
Color	White	Blue	Red	Green
Wattage/Ft (W)	3W	3W	3W	3W
Lumens / Ft (lm)	210	18	36	105
Diode Efficacy (lm/W)	70	6	12	35
Max Run (Inch)	196" (5M)	196" (5M)	196" (5M)	196" (5M)
Min Run (Inch)	2"	2"	2"	2"
Cut Length Increment (inches)	2"	2"	2"	2"
Color Temps (K)	Various	N/A	N/A	N/A
Extrusion Material	Silicone			
Minimum Bend Radius (Inch)	2"			
Operating Temp	45°C			
Lamp Life (L70@45°C)	60,000 hrs			
Beam Angle	120°			
LED Voltage	12VDC			
Mounting Method	Metal Clip with Screws			
Wiring Specs	22ga (AWM 2468x2C)			
Environment	Waterproof - IP65			
Certifications	UL			
Warranty	3 Year			

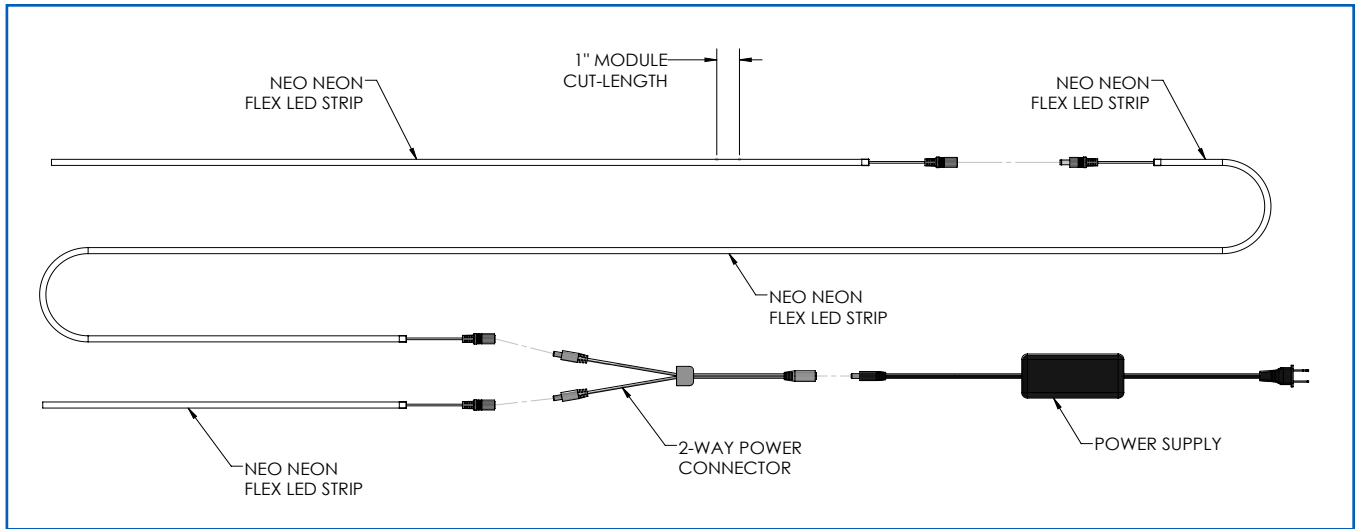
## FEATURES

- Conveniently small dims
- Custom Cut-To-Length
- Waterproof - IP65
- Multiple colors available (Red, Blue, Green, & RGB)
- Available in White 3000K, 4000K, 5000K, & 6000K
- Extremely high and even light output
- Up to 60,000 hrs usable life
- Linear runs up to 196" (5M)
- Connecting cables available for daisy chain
- UL approved

## ORDERING INFORMATION

NEON	-	FT	-	096	-	22	W	50	-	M	48	-	F	12	-	00
Model		Style		Overall Length (Inches)		LED/FT	Color	Temp (Kelvin)		Power-IN Connector	Cord Length		Power-OUT Connector	Cord Length		Variations
NEON = Neo Neon Flex LED Strip		FT= Flat Top RT=Round Top		096=96"		22 = 36/ft, 2835 Chip, 12v	W=White B=Blue G=Green R=Red Z=RGB	1=3000 3=4100 50=5000 60=6000 X=No K Value		M=Male	06=6" 12=12" 24=24" 48=48" 72=72"		F=Female	06=6" 12=12" 24=24" 48=48" 72=72"		00=None
Example: NEON-FT-096-22W50-M48-F12																

SAMPLE APPLICATION LAYOUTS



POWER SUPPLY

ORDERING INFORMATION

PS	L	-	0250	-	M	072	-	F	072	-	000
Model	Body Style		Output Amps		Power-In Connector	Power-In Cord Length		Power-Out Connector	Power-Out Cord Length		Variations
PS= Constant Voltage Power Supply	L=Inline 12V P=Wall Plug 12V L24=Inline 24V P24=Wall 24V		0100=1.00 0250=2.50 0500=5.00 0700=7.00 1000=10.00		M=Male F=Female	072=72"		M=Male F=Female	072=72"		000=none

SIZING CHART

- Combine Linear Feet of all LED strips. (48" + 48" = 96", then 96"/12 = 8 Linear Feet of LEDs)
- Multiply Linear Feet x LED/Ft to get # of LEDs. (8 Ft x 18/Ft = 144 LEDs)
- Multiply # of LEDs x VF to get Total Amps. (144 LEDs x .0067 = 0.96 Total Amps)
- Choose appropriate Power Supply Based on Total Amps.  
(I.E. - If Total Amps = 0.96, then choose 1.0 Amp Power Supply)  
(Calculated amps should not exceed Power Supply Amps)

VF=Voltage Factor  
0.0067 for 2835 chip 12V

RELATED CONNECTOR CORDS

LED-CC-036-MF	PS-1M00-2F06-000	PS-1M05-3F06-000	PS-1M05-4F06-000	LED-CC-GENBEND
DC Connector Cord, 36" Overall Length, Incoming 2.1mm Straight Male, 2464 Round Cord Type, Outgoing 2.1mm Straight Female	DCY Connector, 6" Overall Length, (1) Incoming 2.1mm Male, (2) Outgoing 2.1mm Female	DCY Connector, 11" Overall Length, (1) Incoming 2.1mm Male, (3) Outgoing 2.1mm Female	DCY Connector, 11" Overall Length, (1) Incoming 2.1mm Male, (4) Outgoing 2.1mm Female	DC Male Gender Bender

NEO NEON FLEX LED STRIP